

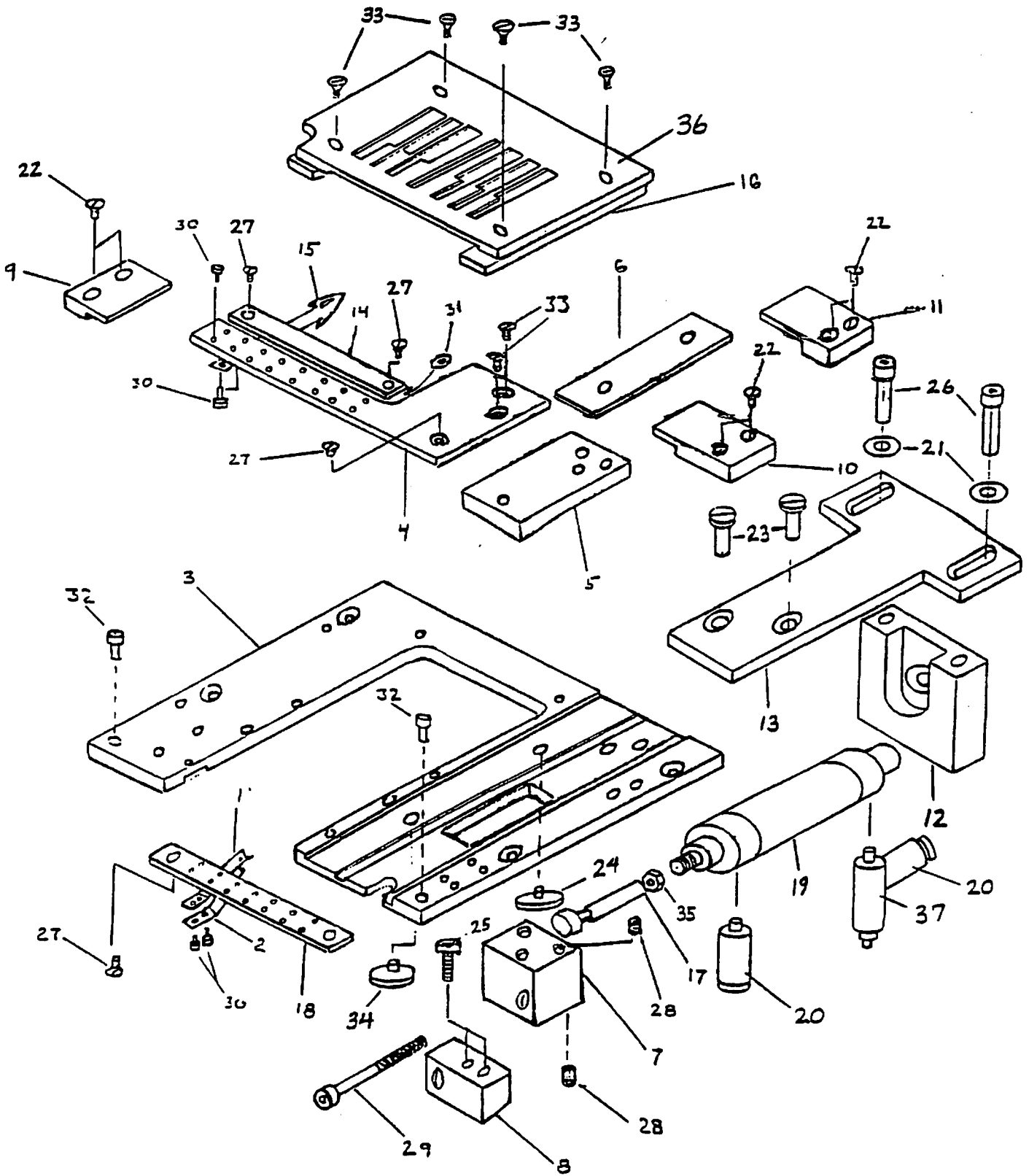
F-4400P/UTC

PARTS LIST

KANSAI SPECIAL USA CORP.
640 GOTHAM PARKWAY
CARLSTADT, NJ 07072

PUBLISHED MAY, 1993

KNIFE ASSEMBLY



KNIFE ASSEMBLY

<u>REF. #</u>	<u>PART #</u>	<u>DESCRIPTION</u>	<u>QTY</u>
1	K2032	UPPER SPRING	6 to 12
2	K2031	LOWER SPRING	6 to 12
3	A1026	BASE PLATE ASSEMBLY (K2001 + G1086).....	1
4	K2002	12 NDL, ½" GA. SHUTTLE KNIFE BASE ..	1
	K2070	12 NDL, 3/16" GA. SHUTTLE KNIFE BASE	1
	K2068	12 NDL, 5mm GA. SHUTTLE KNIFE BASE .	1
	K2066	9 NDL, ½" GA. SHUTTLE KNIFE BASE ..	1
	K2064	6 NDL, ½" GA. SHUTTLE KNIFE BASE ..	1
5	K2003	MAIN SLIDE	1
6	K2004	SLIDE LINER	1
7	G1015	COUPLING BLOCK	1
8	G1016	STROKE STOP BLOCK	1
9	K2027	LEFT GUIDE	1
10	K2005	RIGHT FRONT GUIDE	1
11	K2006	RIGHT REAR GUIDE	1
12	K2041	CYLINDER MOUNT BRACKET	1
13	K2040	CYLINDER MOUNT PLATE	1
14	K1001	STATIONARY KNIFE	1
15	K1002	SHUTTLE KNIFE	6 to 12
16	G1086	NEEDLE PLATE SPACER	1
17	G1014	DRIVE PIN	1
18	K2029	12 NDL, ½" GA. SPRING BASE	1
	K2071	12 NDL, 3/16" GA. SPRING BASE	1
	K2069	12 NDL, 5mm GA. SPRING BASE	1
	K2067	9 NDL, ½" GA. SPRING BASE	1
	K2065	6 NDL, ½" GA. SPRING BASE	1
19	P2009	KNIFE ACTUATING CYLINDER	1
20	P4001	5/32" STRAIGHT FITTING	2

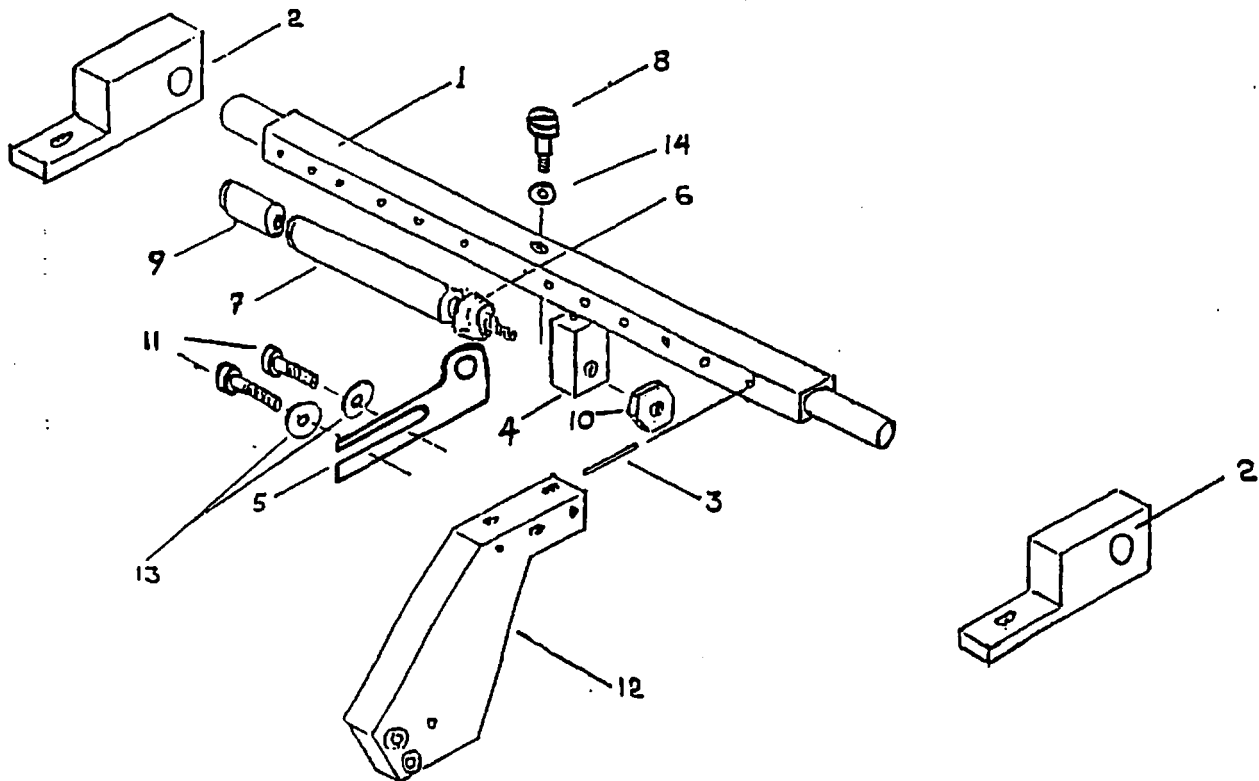
KNIFE ASSEMBLY

(PAGE 2)

<u>REF. #</u>	<u>PART #</u>	<u>DESCRIPTION</u>	<u>QTY</u>
21	U3023	M4 WASHER	2
22	84-464	9/64-40 x 7mm FLAT HEAD SCREW	6
23	S5403	11/64-40 PAN HEAD SCREW	2
24	84-559	11/64-40 x 7mm OVER-SIZED HEAD SCREW ..	1
25	S1004	M3 x 0.5 x 10 SOCKET HEAD CAP SCREW ...	2
26	S1008	M4 x 0.7 x 16 SOCKET HEAD CAP SCREW ...	2
27	84-465	9/64-40 x 3mm FLAT HEAD SCREW	5
28	S1404	M3 x 0.5 x 5 SET SCREW	2
29	S3001	8-32 x 2½" SOCKET HEAD CAP SCREW	1
30	S1002	M2 x 0.4 x 3 SOCKET HEAD CAP SCREW 24 to 48	
31	U3018	M4 SMALL O.D. WASHER	3
32	S1014	M4 x 0.7 x 6 SOCKET HEAD CAP SCREW	2
33	84-462	9/64-40 x 11.5mm FLAT HEAD SCREW	6
34	S5802	11/64-40 x 4mm OVER-SIZED HEAD SCREW ..	1
35	U1801	10-32 NUT	1
36	K7005	12 NDL, ½" GA. UTC NEEDLE PLATE	1
	K7015	12 NDL, 3/16" GA. UTC NEEDLE PLATE	1
	K7006	9 NDL, ½" GA. UTC NEEDLE PLATE	1
	K7007	6 NDL, ½" GA. UTC NEEDLE PLATE	1
37	P4023	FLOW CONTROL VALVE	1

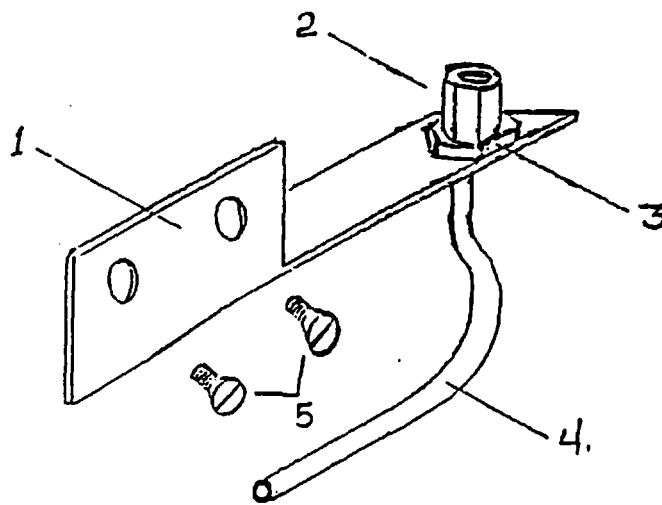
NEEDLE THREAD TENSION RELEASE (A1007)

(F-4406~4412)

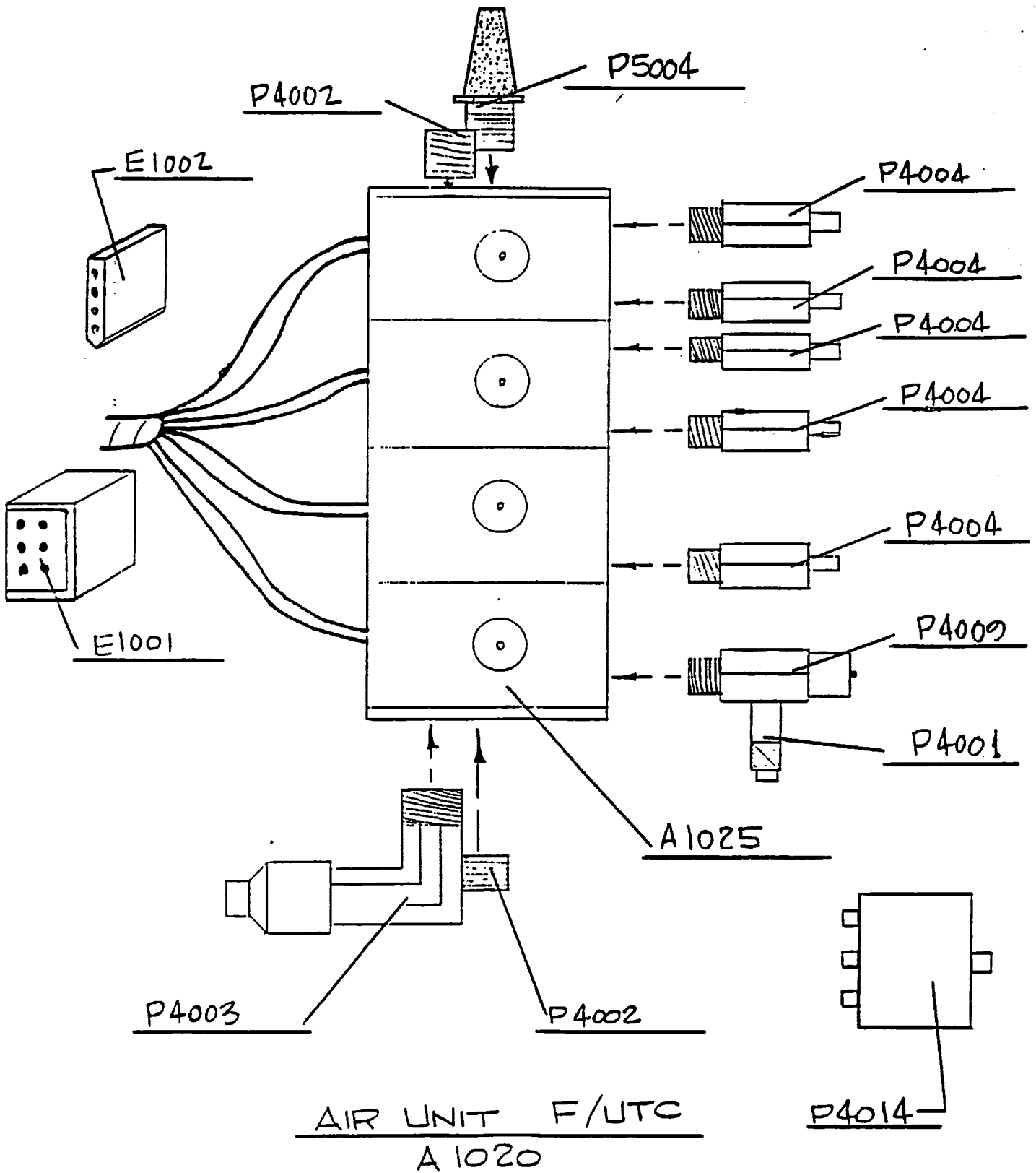


Part#	Description	Qty.
1.	G1002R Tension Release Bar	1
2.	G1001 Tension Release Support Block	2
3.	F1024 3/32" Dia. X 1 1/2" Dowel Pin	6-12
4.	G1006 Ten. Rel. Act Blk	1
5.	G1005 Cylinder Bracket	1
6.	U5001 Collar W/ Set Screw 7/32" Id.	1
7.	P1001 Cylinder W/ Nut 9/16 x 3/4 Spring Return	1
8.	S2503 M4 x 0.7 x 10 Shoulder Screw	1
9.	P4001 Fitting 10-32 x 5/32 OD	1
10.	U1801 10-32 Nut	1
11.	S1009 Screw M6 x 1 x 10	2
12.	G1077 Main Tension Bracket	1
13.	U3017 Washer	2
14.	U3029 #10 Nylon Flat Washer	1

NEEDLE THREAD BLOWER (A1008)



1.	G1074	NEEDLE THREAD BLOWER BRACKET	1
2.	P4024	5/32" STRAIGHT FITTING, MODIFIED	1
3.	U1801	10-32 NUT	1
4.	F7010	COPPER TUBE 1/8 OD .030 WALL 3"	1
5.	84-464	9/64 x 40 C'SUNK HD SCREW	2

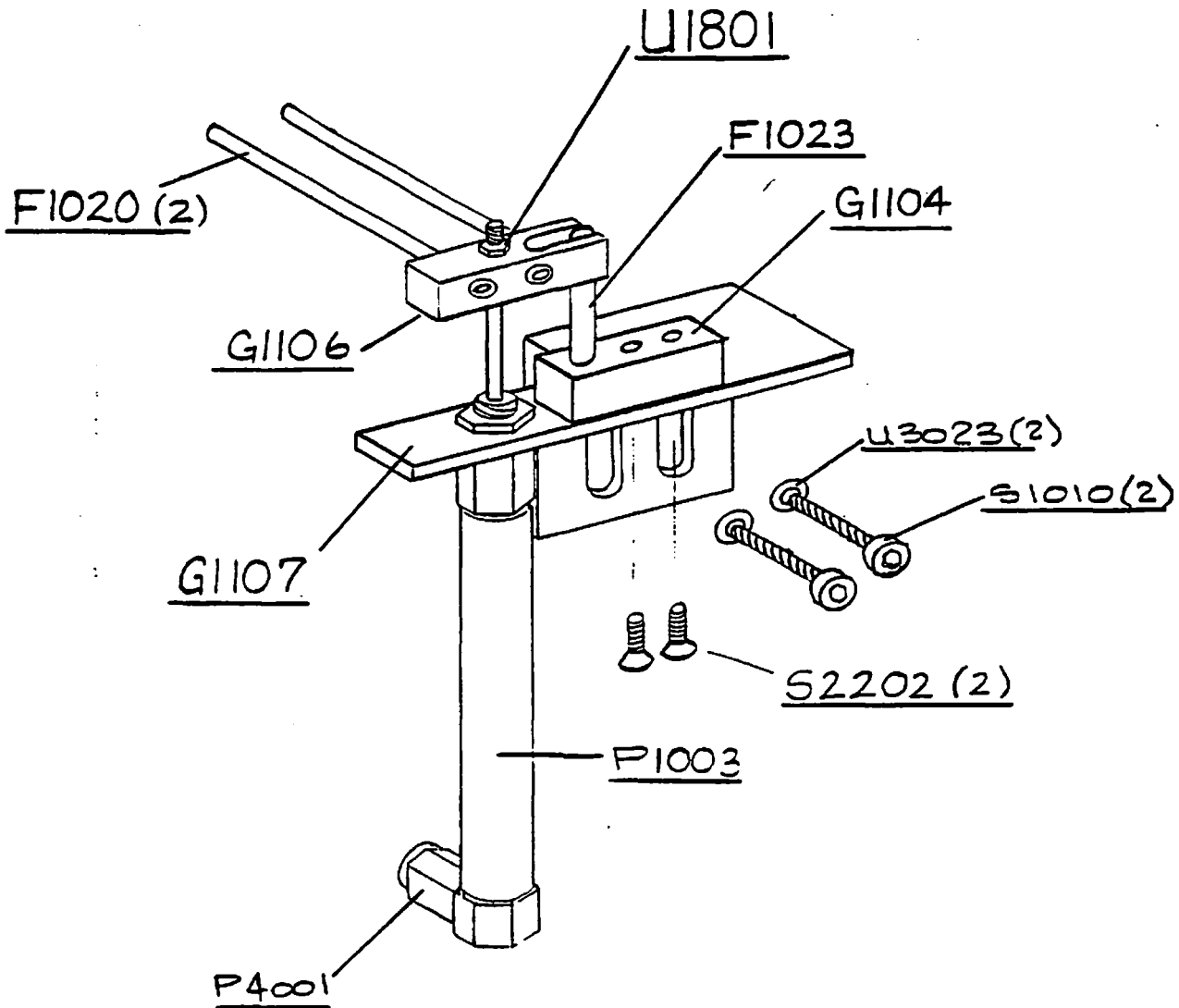


F-4400/UTC AIR UNIT

(A1020)

<u>REF. #</u>	<u>PART #</u>	<u>DESCRIPTION</u>	<u>QTY</u>
1.	A1025	VALVE STACK UNIT	1
2.	E1001	6-PIN MOLEX CONNECTOR	1
3.	E1002	4-PIN MOLEX CONNECTOR	1
4.	P4001	5/32" STRAIGHT FITTING	1
5.	P4002	1/2" NPT PLUG	2
6.	P4003	5/32" x 1/2" NPT ELBOW FITTING	1
7.	P4004	5/32" x 1/8" NPT STRAIGHT FITTING	5
8.	P4009	5/32" x 1/8" NPT FLOW CONTROL VALVE ..	1
9.	P4014	5/32" FOUR PORT MANIFOLD	1
10.	P5004	1/2" NPT MUFFLER	1
* 11.	P7011	5/32" x 2" AIR TUBING	1
* 12.	P7020	5/32" x 10 1/4" AIR TUBING	1
* 13.	P7021	5/32" x 10 3/4" AIR TUBING	1
* 14.	P7022	5/32" x 11" AIR TUBING	1
* 15.	P7023	5/32" x 13 3/4" AIR TUBING	1
* 16.	P7024	5/32" x 14 1/2" AIR TUBING	1
* 17.	P7025	5/32" x 16 1/4" AIR TUBING	1
* 18.	P7026	5/32" x 17" AIR TUBING	1
* 19.	P7027	5/32" x 34" IR. TUBING	1
* 20.	P4016	5/32" FITTING FOR REGULATOR/FILTER ...	1
* 21.	P4006	MALE QUICK DISCONNECT FOR REG/FILTER .	1
* 22.	P4007	FEMALE QUICK DISCONNECT FOR REG/FILTER	1
* 23.	P5002	AIR PRESSURE REGULATOR/FILTER	1
* 24.	P5003	PRESSURE GAUGE FOR REGULATOR/FILTER ..	1

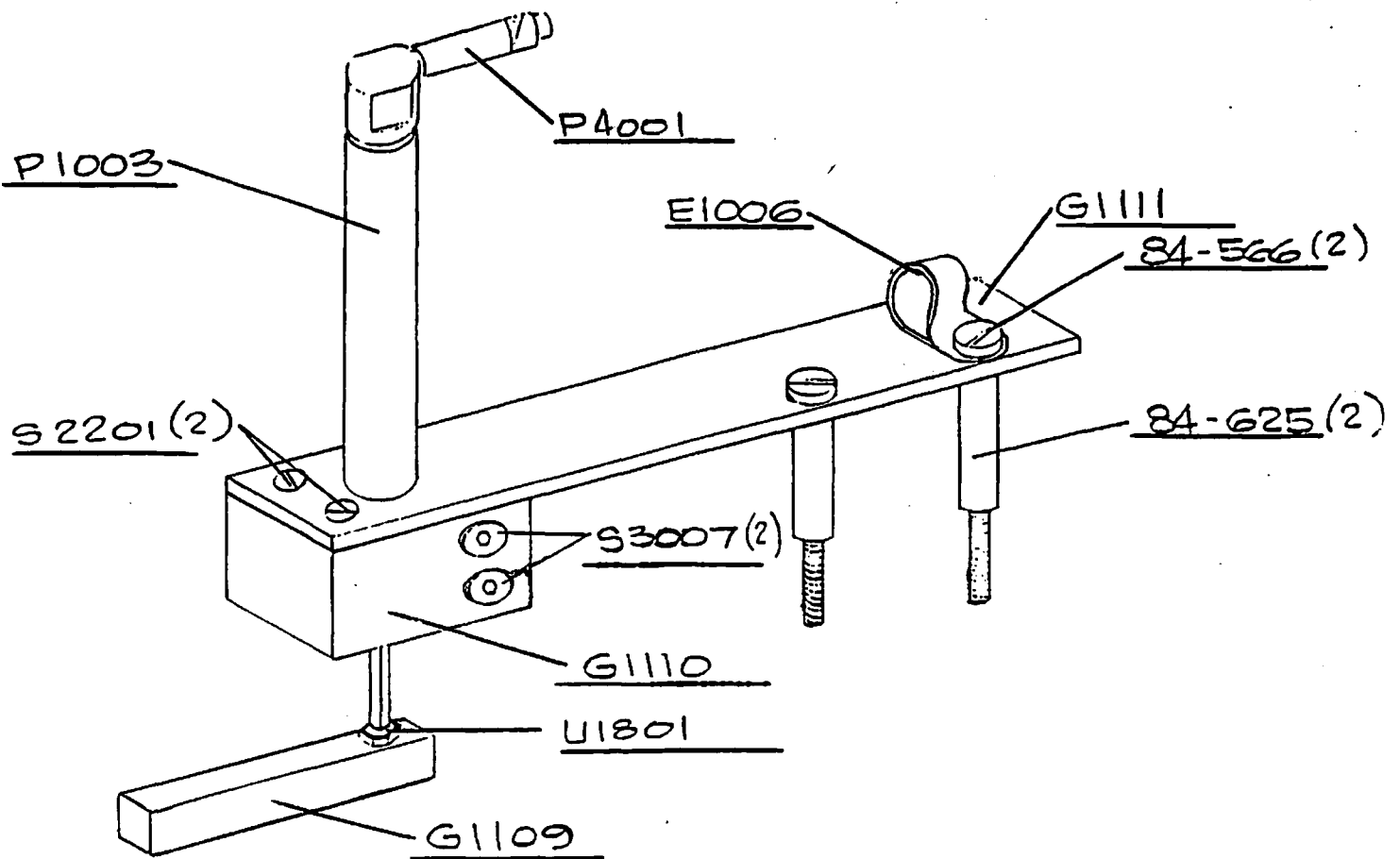
* NOT PICTURED IN THE DIAGRAM



LOOPER THREAD PULL-OFF

(A1021)

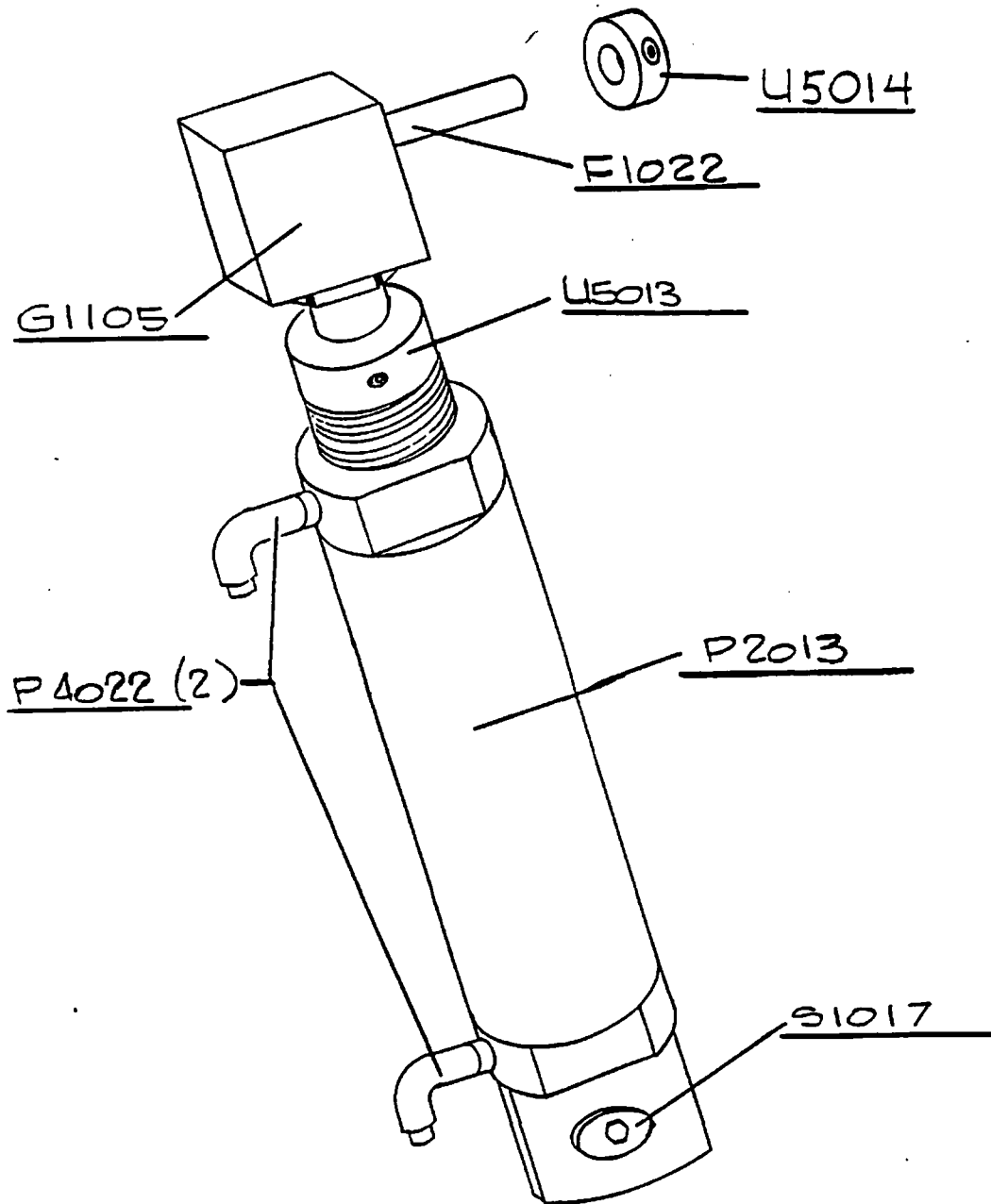
<u>REF. #</u>	<u>PART #</u>	<u>DESCRIPTION</u>	<u>QTY</u>
1.	F1020	1/8" DIA. x 1 3/4" SPRING PIN	2
2.	F1023	3/16" DIA. x 2" DOWEL PIN	1
3.	G1104	GUIDE PIN BLOCK	1
4.	G1106	PIN BLOCK	1
5.	G1107	LOOPER THREAD PULL-OFF CYLINDER MOUNT	1
6.	P1003	LOOPER THREAD PULL-OFF CYLINDER	1
7.	P4001	5/32" STRAIGHT FITTING	1
8.	S1010	M4 x 0.7 x 12mm CAP SCREW	2
9.	S2202	M4 x 0.7 x 10mm FLAT HEAD SCREW	2
10.	U1801	10-32 NUT.....	1
11.	U3023	4mm STANDARD O.D. WASHER	2



NEEDLE THREAD PULL-OFF
A1022

NEEDLE THREAD PULL OFF F/UTC (A1022)

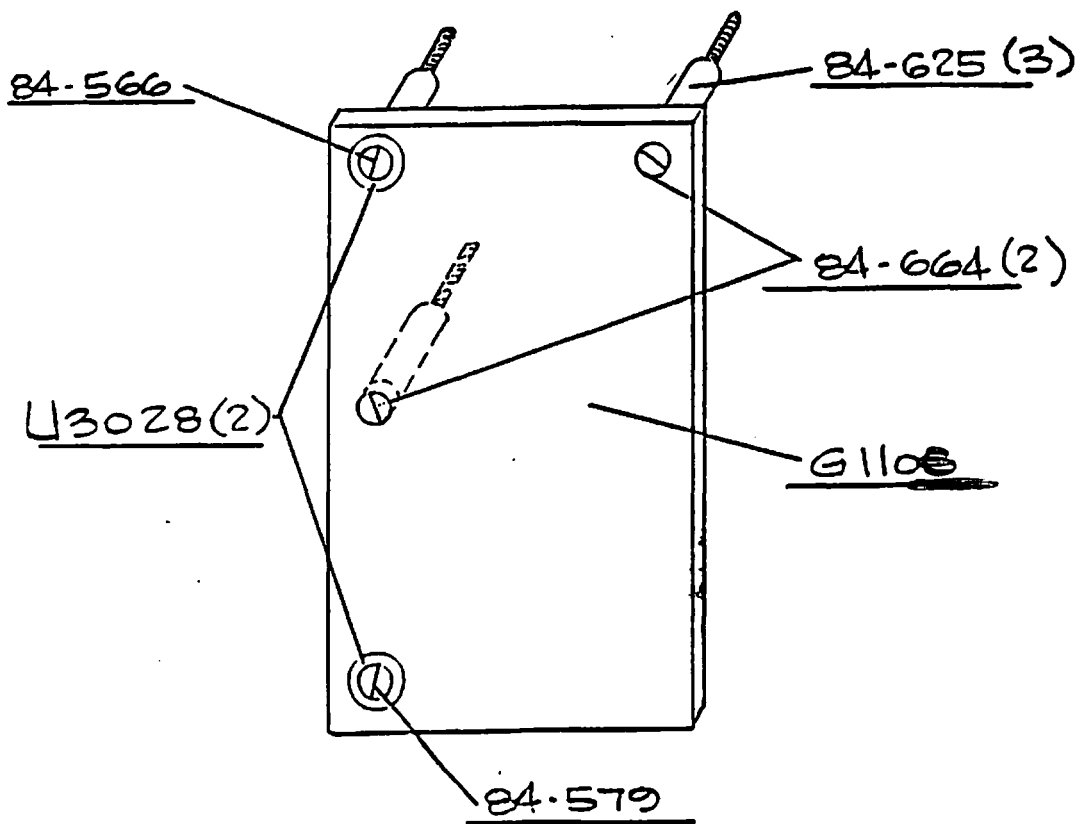
#	PART#	DESCRIPTION	QTY
1.	E1006	CLAMP	1
2.	G1109	THREAD FRESSER BAR	1
3.	G1110	CYLINDER CLAMP BLOCK	1
4.	G1111	CLAMP MOUNT PLATE	1
5.	F1003	7/16 BORE, 1 in. STROKE, NON ROTATING	1
6.	P4001	10-32, 5/32 O.D. CONNECTOR	1
7.	S2201	M5 x 12mm FLATHEAD SCREW	2
8.	S3007	1/4 x 20 x 3/4 SOCKET HD CAP SCREW	2
9.	U1801	10-32 NUT	1
10.	84-566	SCREW	2
11.	84-625	STAND OFF	2



MACHINE MOUNTED FOOTLIFT ASSEMBLY
A 1023

MACHINE MOUNTED FOOTLIFT ASS'Y (A1023)

#	PART#	DESCRIPTION	QTY
1.	F1022	1/4 x 1 1/4 L DOWEL PIN	1
2.	G1105	CYLINDER BLOCK	1
3.	P2013	27mm BORE x 50mm STROKE CYLINDER	1
4.	P4022	1/8 PT x 5/32 O.D. CONNECTOR ELBOW	2
5.	S1017	M5 x 9.5 mm x 30 mm SHSS	1
6.	U5013	3/8 SPLIT COLLAR W/ 6-32 x 5/8 SHCS	1
7.	U5014	1/4" SHAFT COLLAR	1



MACHINE MOUNTED AIR UNIT PLATE

(A 1024)

<u>REF. #</u>	<u>PART #</u>	<u>DESCRIPTION</u>	<u>QTY</u>
1.	G1108	VALVE STACK MOUNT PLATE	1
2.	U3028	WASHER	2
3.	84-566	11/64-40 PAN HEAD SCREW	1
4.	84-579	11/64-40 PAN HEAD SCREW	1
5.	84-625	11/64-40 STAND-OFF	3
5.	84-664	11/64-40 FLAT HEAD SCREW	2

MISCELLANEOUS PARTS

<u>PART #</u>	<u>DESCRIPTION</u>	<u>QTY</u>
F1009	UTC SPREADER	6 to 12
F1011	UTC POSITIONER ROD	1
G1088	UTC CLOTH PLATE	1
G1089	COVER LATCH SPACER	1
G1094	CLOTH PLATE SPACER PLATE	1
G1100	UTC SPREADER BAR BLOCKS	2
G1102	UTC LOOPER DROP DOWN LEVER	1
G1103	UTC BELT COVER	1
G1112	LEXAN SAFETY SHIELD	1
G1113	UTC FRONT DROP COVER	1
G1114	UTC RULER PLATE	1
K7001	12 NDL, 1/2" GA. UTC SPREADER BAR	1
K7013	12 NDL, 3/16" GA. UTC SPREADER BAR	1
K7002	9 NDL, 1/2" GA. UTC SPREADER BAR	1
K7003	6 NDL, 1/2" GA. UTC SPREADER BAR	1
S3402	5/64-40 UTC SPREADER SET SCREW	6 to 12
U3013	5/16" LOCK WASHER FOR POSITIONER HUB	1
U3022	CLOTH PLATE SPACER RINGS	2
06-958	UTC POSITIONER HUB	1
88-166	M6 NUT FOR UTC POSITIONER ROD	1

